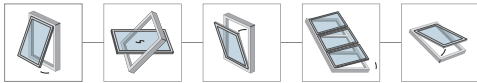


SMART 20

- SOFT START & STOP
- Rilevamento ostacoli | *Obstacle detection*
- Fine corsa per assorbimento | *Stroke limit - resistance*

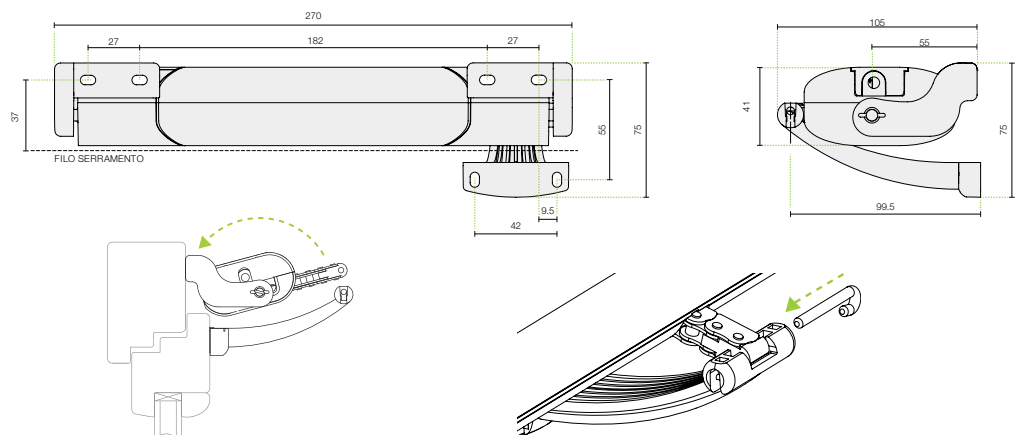
- Velocità | *Speed* 16 mm/sec
- Forza di spinta | *Thrust force* 200 N
- Servizio | *Type of service* S2 - 4 min
- Temp min-max -5°C / +50°C

IP20



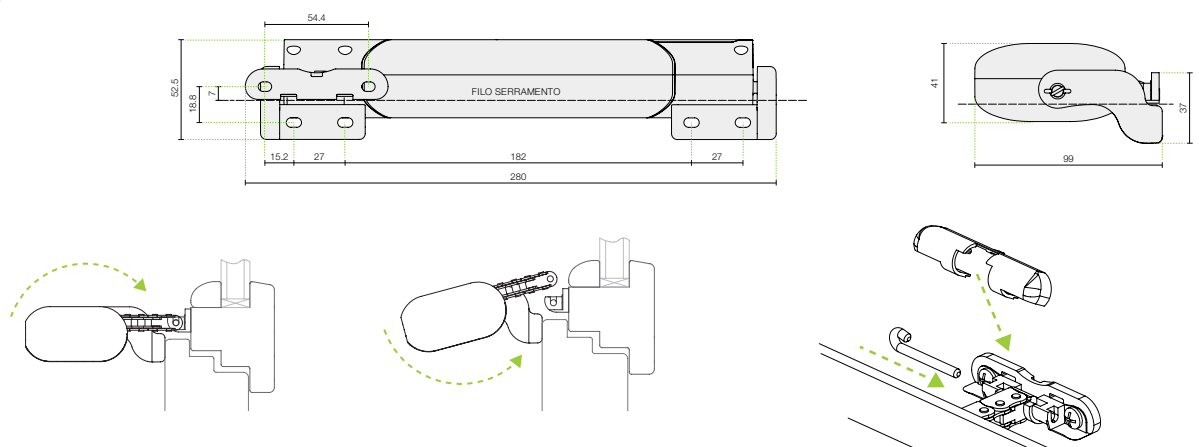
Apertura Vasistas

Bottom hung inward opening window



Apertura a sporgere

Top hung outward opening window



SMART

Article	Product code	Colour	Strokes	Push pull	Power	Motor voltage	Weight	Pieces
230V basic	MSMART20 H OB 00	■ Black RAL 9005	180-380	200/250 N	22W	0,14 A	1,1 Kg	1
230V basic	MSMART20 H OG 00	■ Grey RAL 7035	180-380	200/250 N	22W	0,14 A	1,1 Kg	1
230V basic	MSMART20 H OW 00	□ White RAL 9010	180-380	200/250 N	22W	0,14 A	1,1 Kg	1
24V basic	MSMART20 L OB 00	■ Black RAL 9005	180-380	200/250 N	22W	0,9 A	1,1 Kg	1
24V basic	MSMART20 L OG 00	■ Grey RAL 7035	180-380	200/250 N	22W	0,9 A	1,1 Kg	1
24V basic	MSMART20 L OW 00	□ White RAL 9010	180-380	200/250 N	22W	0,9 A	1,1 Kg	1

Comando a parete
Push-button



L < 125 cm
Base / Length

Fino a
Up to **30** finestre
windows

